



# Kennedy

WASHROOM HYGIENE SYSTEMS

Kennedy Hygiene Products Limited  
Brookside, Uckfield,  
East Sussex, TN22 1YA  
United Kingdom

**Telephone:** +44 (0)1825 768141

**Fax:** +44 (0)1825 768143

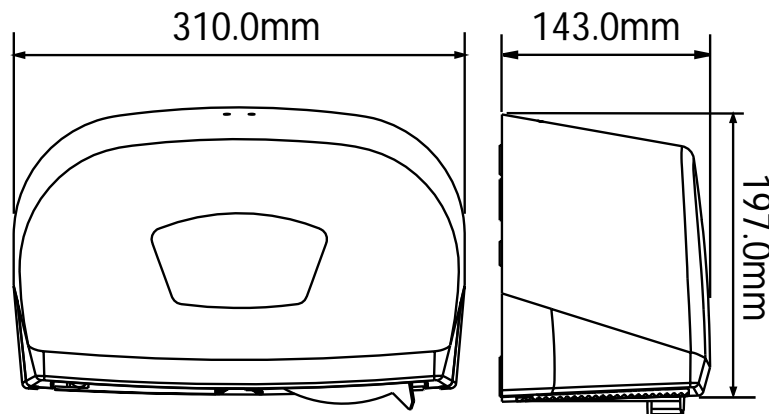
**E-Mail:** sales@kennedy-hygiene.com

**Website:** www.kennedy-hygiene.com

## PRODUCT SPECIFICATION SHEET

### SIGMA TISSUE DISPENSER

#### DIMENSIONS



#### MATERIALS

Constructed mainly from ABS, as well as other engineering thermoplastics. Dispenser can be recycled or disposed of in accordance with local regulations.

#### PACKING

Individual units packed in polybags with cardboard dividers in between them.

Individual weight: 805g

4 units packed into carton: 600mm x 315mm x 205mm

Total weight: 4.5kg approximately



EMS 53617



FM 34822