



Kennedy

WASHROOM HYGIENE SYSTEMS

Kennedy Hygiene Products Limited
Brookside, Uckfield,
East Sussex, TN22 1YA
United Kingdom

Telephone: +44 (0)1825 768141

Fax: +44 (0)1825 768143

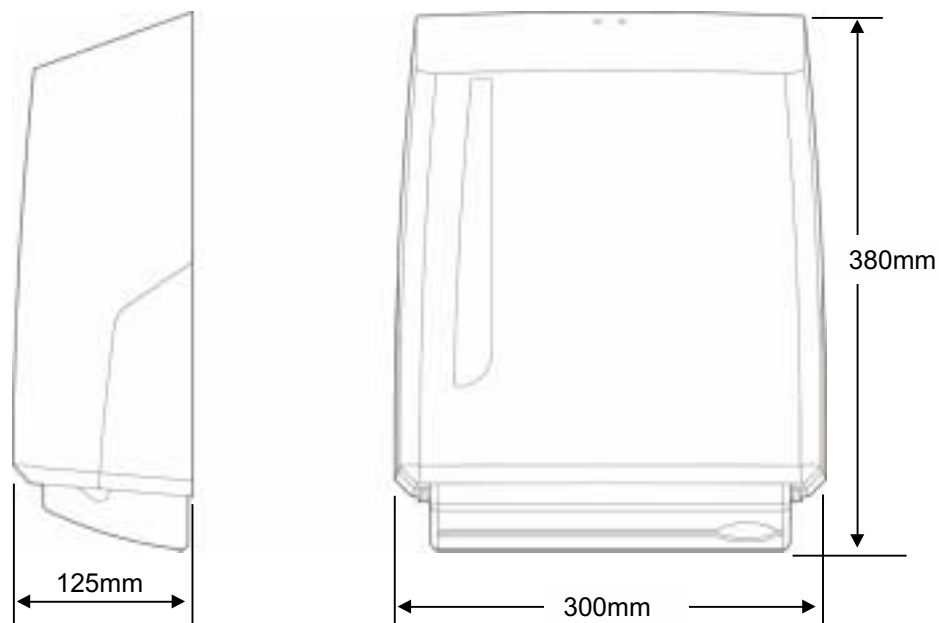
E-Mail: sales@kennedy-hygiene.com

Website: www.kennedy-hygiene.com

PRODUCT SPECIFICATION SHEET

PRIMA PAPER DISPENSER

DIMENSIONS



MATERIALS

Constructed from High Impact Styrene and other engineering thermoplastics. Dispenser can be recycled or disposed of in accordance with local regulations.

PACKING

Individual units packed in polybags and outer cardboard sleeve.

Individual weight: 1.5kg

4 units packed into carton: 590mm x 400mm x 330mm

Total weight: 7.0kg



EMS 53617



FM 34822